

SCL- MR16 3.5W

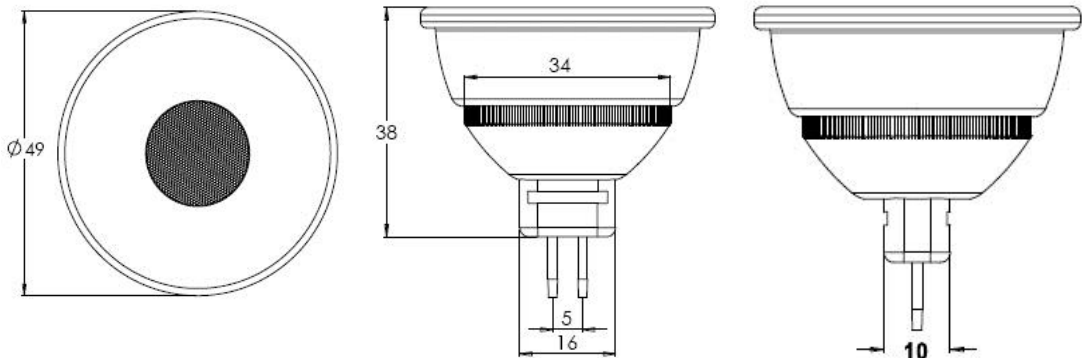


Power Specifications	
Voltage	12~18Vac / 12~24Vdc
Current	<350mA
Power	3.5W ±10%
CRI	>70
Lifespan	>20000 hours
Socket	GU 5.3
Beam Angle	30°, 45°
Weight	24g
Size	Φ49mm x 48mm
Environment Specifications	
Operation Temperature	-20°C~50°C
Storage Temperature	-40°C~60 °C
Operation Humidity	10%~90 %

Illumination

Color Temperature	4700K ~ 6000K	2600K ~3300K
	Cool White	Warm White
Lumens, 30°	330lm ± 10%	300lm ± 10%
Lumens, 45°	320lm ± 10%	290lm ± 10%

Dimension (unit in mm)



SCL- MR16 5W



30°



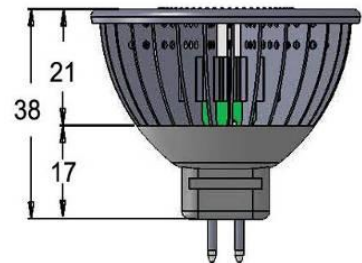
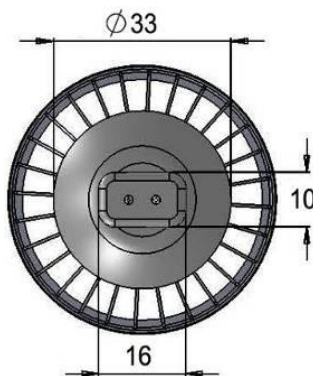
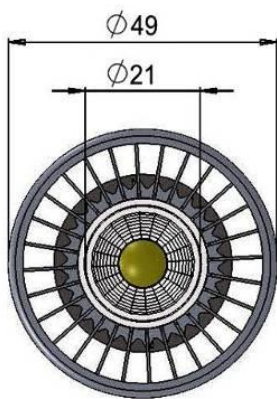
45°

Power Specifications	
Voltage	12~18Vac / 12~24Vdc
Current	<600mA
Power	6.5W ±10%
CRI	>70
Lifespan	>20000 hours
Socket	GU5.3
Beam Angle	30°, 45°
Weight	24g
Size	Φ49mm x 38mm
Environment Specifications	
Operation Temperature	-20°C~50°C
Storage Temperature	-40°C~60 °C
Operation Humidity	10%~90 %

Illumination

Color Temperature	4700K ~ 6000K	2600K ~3300K
	Cool White	Warm White
Lumens, 30°	350lm ± 10%	310lm ± 10%
Lumens, 45°	340lm ± 10%	200lm ± 10%

Dimension (unit in mm)



SCL- MR16 6W,7W



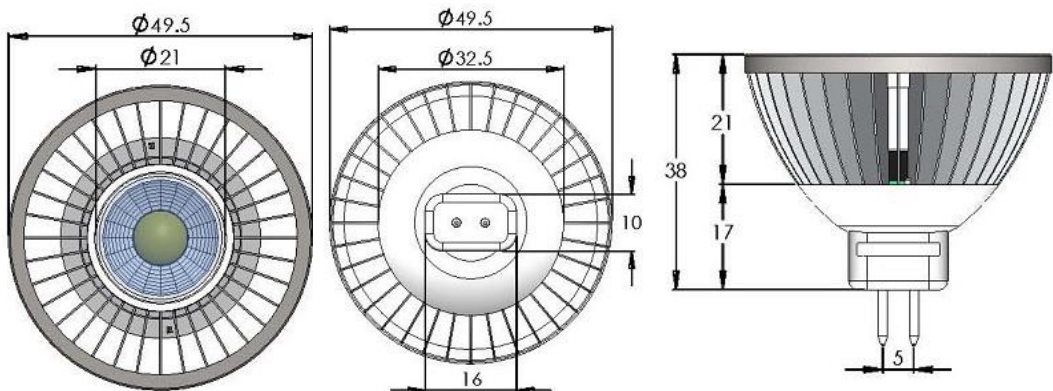
30°, 45°

Power Specifications	
Voltage	12~18Vac / 12~24Vdc
Current	<600mA , <700mA
Power	6W±10%, 6.5W ±10%
CRI	>80
Lifespan	>20000 hours
Socket	GU5.3
Beam Angle	30°, 45°
Weight	24g
Size	Φ49mm x 38mm
Environment Specifications	
Operation Temperature	-20°C~50°C
Storage Temperature	-40°C~60 °C
Operation Humidity	10%~90 %
Certifications	
CE-EMC, CE-LVD, RoSH	

Illumination

Color Temperature	4700K ~ 6000K	2600K ~3300K
	Cool White	Warm White
Lumens, 30°, 6W	360lm ±10%	340lm ±10%
Lumens, 45°, 6W	350lm ±10%	330lm ± 10%
Lumens, 30°, 7W	480lm ±10%	450lm ±10%
Lumens, 45°, 7W	470lm ±10%	440lm ± 10%

Dimension (unit in mm)



SCL- MR16 6W,7W, GU10

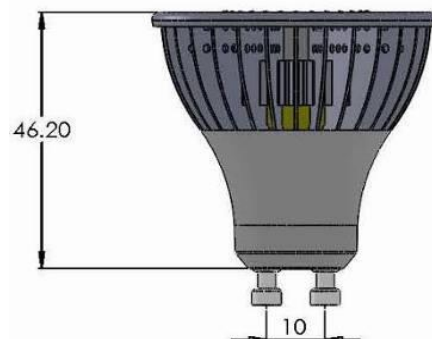
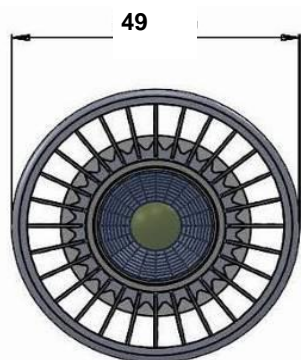


Power Specifications	
Voltage	100~240Vac
Current	<60mA, <70mA
Power	6W±10%, 6.5W ±10%
CRI	>80
Lifespan	>20000 hours
Socket	GU10
Beam Angle	30°, 45°
Weight	33g
Size	Φ49mm x 46.2mm
Environment Specifications	
Operation Temperature	-20°C~50°C
Storage Temperature	-40°C~60 °C
Operation Humidity	10%~90 %
Certifications	
CE-EMC, CE-LVD, RoSH	

Illumination

Color Temperature	4700K ~ 6000K	2600K ~3300K
	Cool White	Warm White
Lumens, 30°, 6W	360lm ±10%	340lm ±10%
Lumens, 45°, 6W	350lm ±10%	330lm ± 10%
Lumens, 30°, 7W	480lm ±10%	450lm ±10%
Lumens, 45°, 7W	470lm ±10%	440lm ± 10%

Dimension (unit in mm)



SCL- MR16 6W,7W, E27

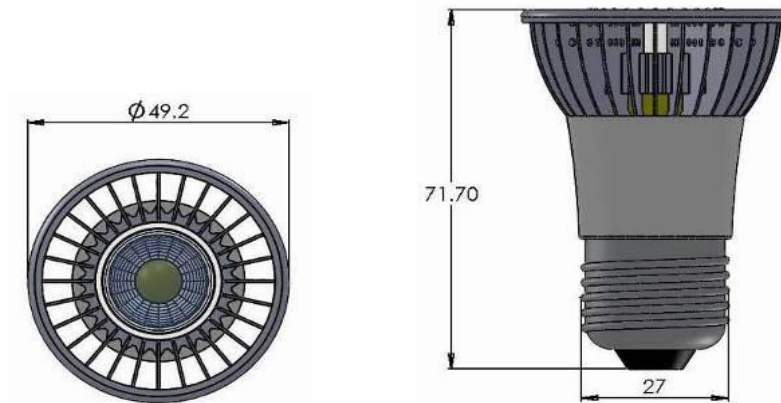


Power Specifications	
Voltage	100~240Vac
Current	<60mA, <70mA
Power	6W±10%, 6.5W ±10%
CRI	>80
Lifespan	>20000 hours
Socket	E27
Beam Angle	30°, 45°
Weight	40g
Size	Φ49mm x 72mm
Environment Specifications	
Operation Temperature	-20°C~50°C
Storage Temperature	-40°C~60 °C
Operation Humidity	10%~90 %
Certifications	
CE-EMC, CE-LVD, RoSH	

Illumination

Color Temperature	4700K ~ 6000K	2600K ~3300K
	Cool White	Warm White
Lumens, 30°, 6W	360lm ±10%	340lm ±10%
Lumens, 45°, 6W	350lm ±10%	330lm ± 10%
Lumens, 30°, 7W	480lm ±10%	450lm ±10%
Lumens, 45°, 7W	470lm ±10%	440lm ± 10%

Dimension (unit in mm)



UTO MR16 5W

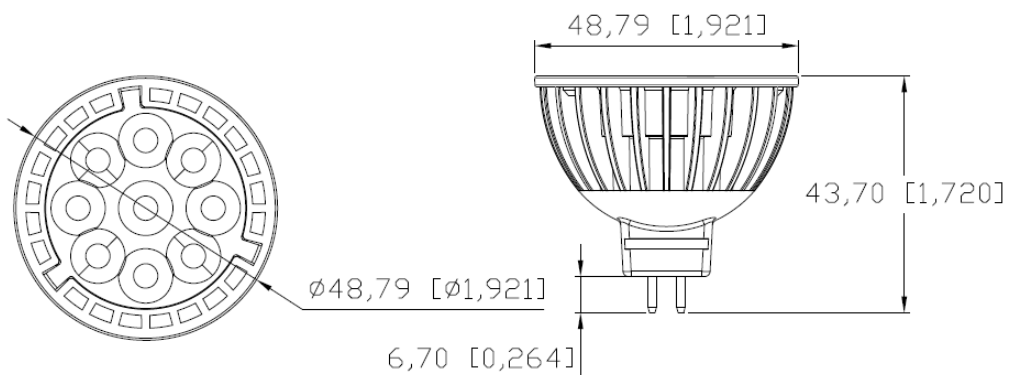


Power Specifications	
Voltage	100~240Vac
Current	<440mA
Power	5W ±10%
CRI	>80
Lifespan	>20000 hours
Socket	GU5.3
Beam Angle	34°
Weight	40g
Size	Φ48.8mm x 43.7mm
Environment Specifications	
Operation Temperature	-20°C~40°C
Storage Temperature	-40°C~60 °C
Operation Humidity	10%~90%
Certifications	
CE-EMC, CE-LVD, RoSH	

Illumination

Color Temperature	5000K	4000K	3000K
	Cool White	Neutral White	Warm White
Lumens	330lm ±10%	315lm ±10%	300lm ±10%
Illuminance at 1 meter	450lux	430lux	410lux

Dimension (unit in mm)



UTO MR16 5.5W

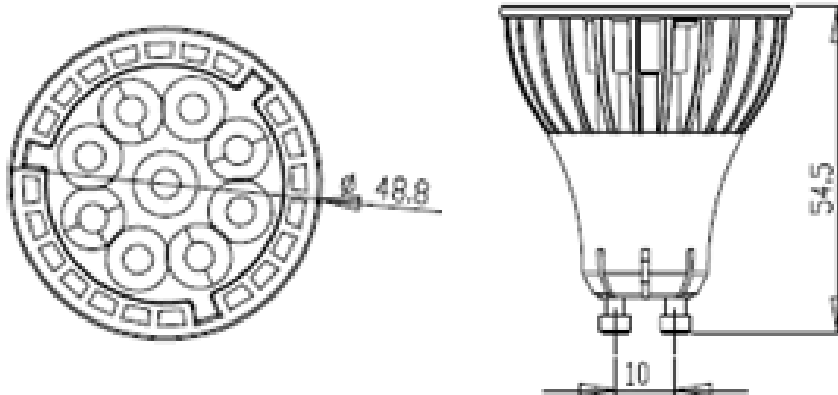


Power Specifications	
Voltage	100~240Vac
Current	<440mA
Power	5.5W ±10%
CRI	>80
Lifespan	>20000 hours
Socket	GU10
Beam Angle	32°
Weight	45g
Size	Φ48.8mm x 54.5mm
Environment Specifications	
Operation Temperature	-20°C~40°C
Storage Temperature	-40°C~60 °C
Operation Humidity	10%~90%
Certifications	
CE-EMC, CE-LVD, RoSH	

Illumination

Color Temperature	5000K	4000K	3000K
	Cool White	Neutral White	Warm White
Lumens	320 lm±10%	310 lm±10%	300 lm±10%
Illuminance @ 1 meter	450 lux	430 lux	410 lux

Dimension (unit in mm)



LED MR16 Spotlight

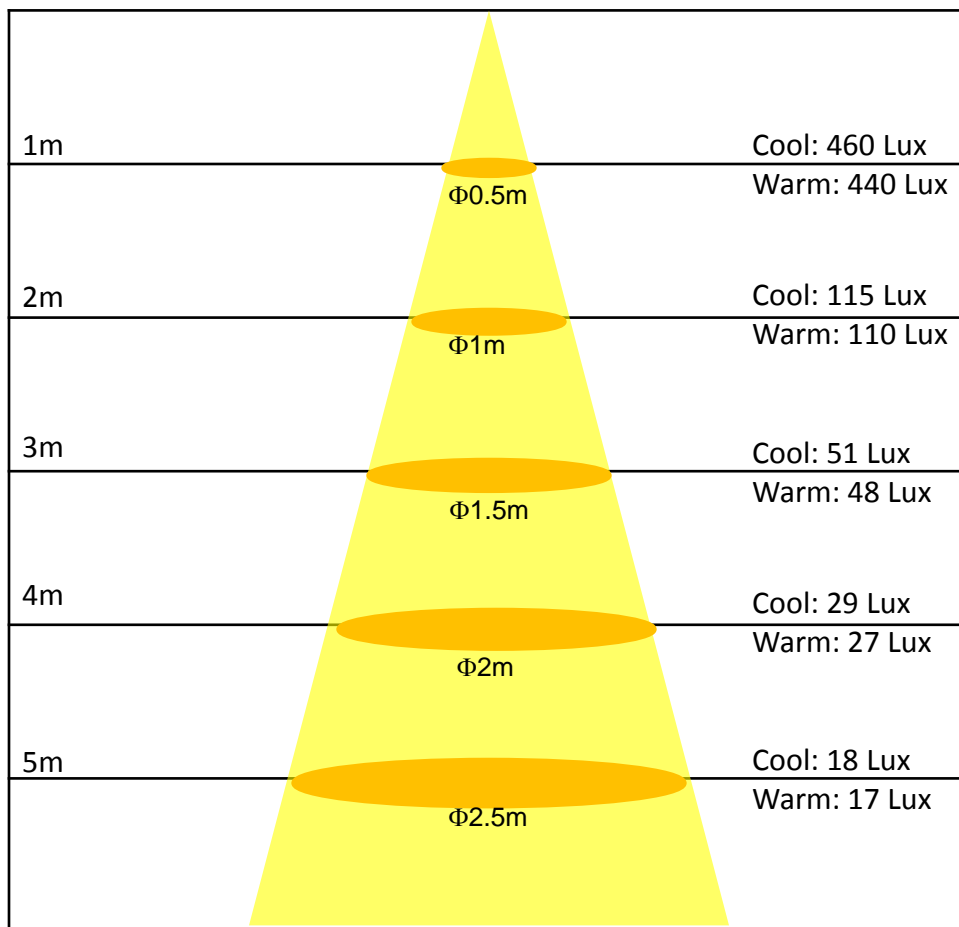
Technical Specification For Energy Star

Safety Requirements	UL 1993 - 1999
Operating Frequency	> 120 Hz
Transient Protection	IEEE C.62.41 – 1991 Class A
Radio Interference Suppression	440mA
Noise Rating	Class A; < 24 dBA
Flammability of Plastic Components	V-0 (UL94)

Environmental Materials (In accordance with ROHS Directive 2002/95/CE)

Mercury (Hg)	0mg
Lead (Pb)	0mg

Illumination Distribution Chart



Height

Beam Angle: 32°